

The PE-304 is a pendant speaker designed for ceiling suspension installations. Considered in architectural design, it can blend in with lighting equipment. A directly-attached 5 m (16.4 ft) cable allows the speaker to be suspended from the high ceiling. The PE-304 is driven on both high-impedance (100 V and 70 V) and low-impedance (8 Ohm#) lines. The input power (impedance) can be easily changed at the upper side of the speaker. The speaker is easy to repaint so as to meet a wide range of design needs.

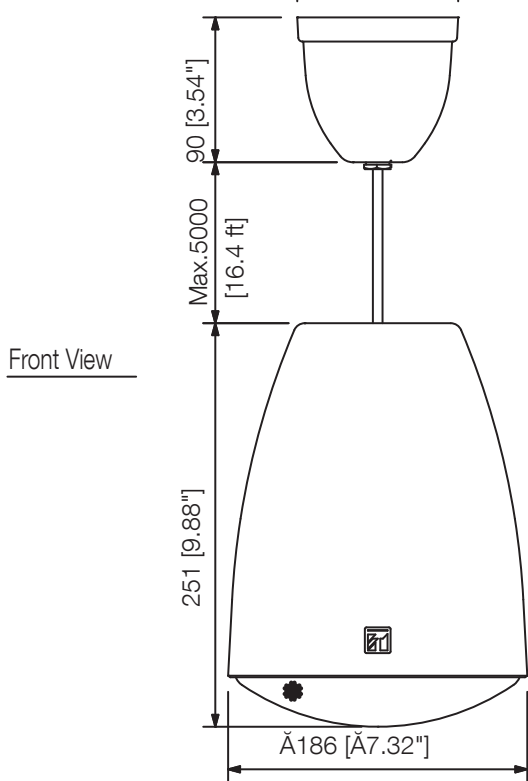
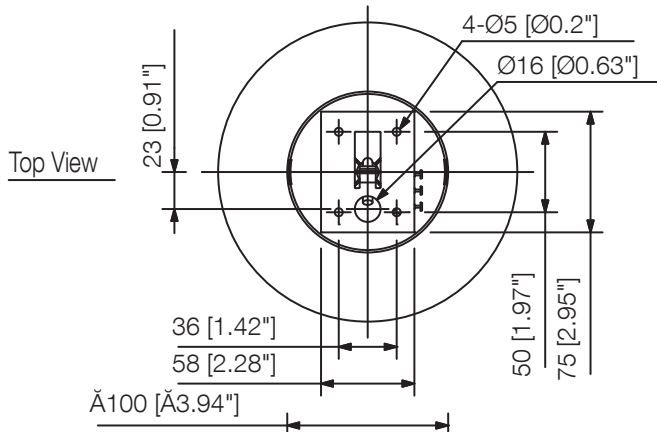


Article number: PE-304
Alternative products: PE-64

Specifications

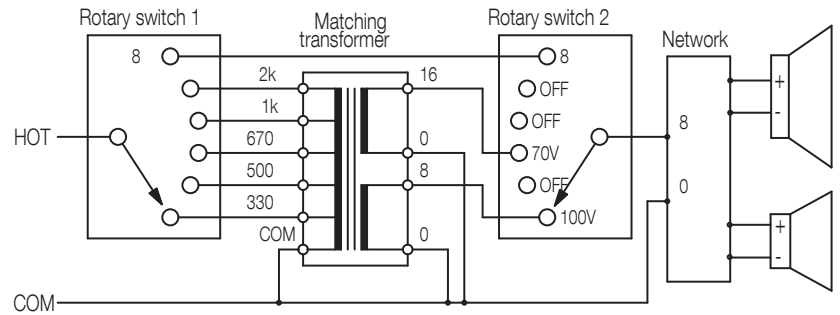
Dimensions (W x H x D)	x 251
Dimensions (ø x D)	186
Finish	HIPS resin, off-white (RAL 9010 or equivalent),

Appearance



UNIT:mm

SCALE:1/5



(Factory-preset wiring)

Note: Never connect the 8 terminal to the 100 V or 70 V line.

Wiring Diagram

