

## RM-200SF

### SX-2000 FIREMAN'S MICROPHONE



The RM-200SF is a wall-mount remote microphone for TOA's Public Address and Voice Evacuation System. It is equipped with an Emergency key, permitting it to be used as a remote microphone for emergency broadcast. Zone selection and microphone announcement can be made at the time of emergency broadcast. It offers a surveillance function to detect failures including microphone element failure. The RM-200SF has three function keys that can be set as individual or group selection keys, and each key is linked with the corresponding two indicators. Connecting the optional RM-210 or RM-320F Extension units to the RM-200SF expands the number of function keys and indicators in blocks of ten (RM-210) or twenty (RM-320F).

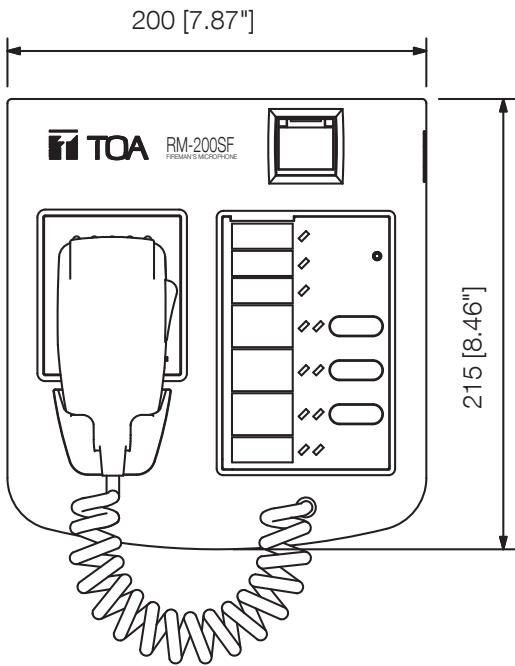
### Key features

- For general and emergency broadcast
- For activation of emergency mode, start and stop automatic broadcasts of emergency announcements, reset emergency signals, and live microphone announcements
- CPU-switch for emergency broadcast to all zones even in case of a CPU error
- Up to 4 Key Extension Units per Emergency Remote Microphone

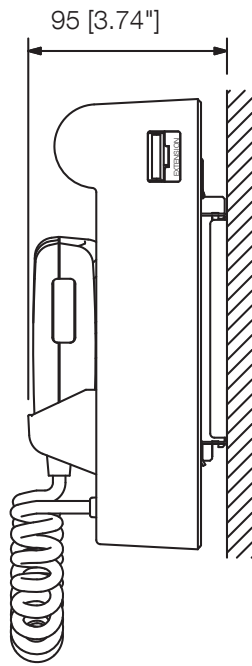
## Specifications

Power Source	24 V DC (operating range: 15 – 40 V DC, supplied from the VX-3000 system.)
Operation	Emergency key, Function keys ... 3, CPU switch, Reset switch, Talk key
Current Consumption	240 mA or less
Audio Output	0 dB*, transformer-balanced
Distortion	1% or less
Frequency Response	200 Hz – 15 kHz
Signal to Noise Ratio	55 dB or more
Microphone	Unidirectional dynamic microphone with talk key, AGC (ON/OFF switchable), Microphone element failure detectable by using a built-in oscillator
Chime	Built inside (PCM sound source), Monitoring available with a built-in speaker.
Volume Control	Microphone volume control, Monitor speaker volume control, Chime volume control (using the software)
Maximum Cable Length	800 m or 2624.67 ft (Total)
Connection Cable and Connector	Main line: Shielded CPEV cable (each one pair of Audio line, Data line, Monitor/control line, and power supply line) or Shielded Category 5 twisted pair cable for LAN (CAT5-STP) or greater, M3 screw terminal
Number of Connectable RM-320F	Max. 4 units
Monitor Speaker	Built-in type
Indicator	Status indicators ... 3, Power indicator, Failure indicator, CPU indicator, Selection indicators ... 3, Microphone indicator, Broadcast status indicator
Operating Temperature	0 to 40°C (32 to 104°F)
Operating Humidity	35 to 80% RH (no dew condensation)
Finish	ABS resin, blueish gray (PANTONE 538 or its equivalent)
Dimensions	200 (w) x 215 (h) x 95 (d) mm (7.87" x 8.46" x 3.74") (including the Wall Mounting Bracket)
Weight	1.48 kg (3.26 lb)

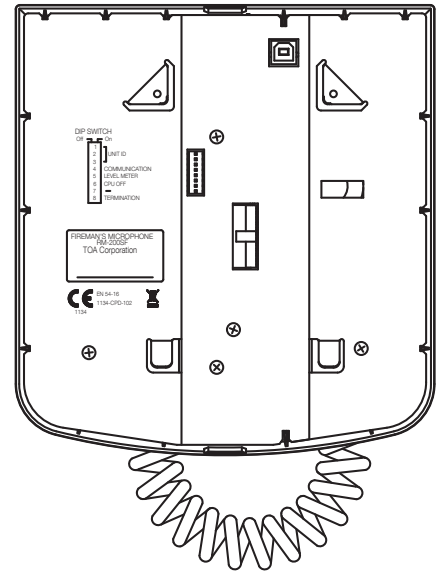
## Dimensions



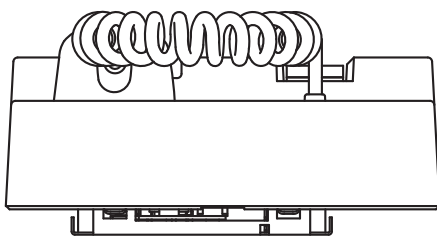
Front View



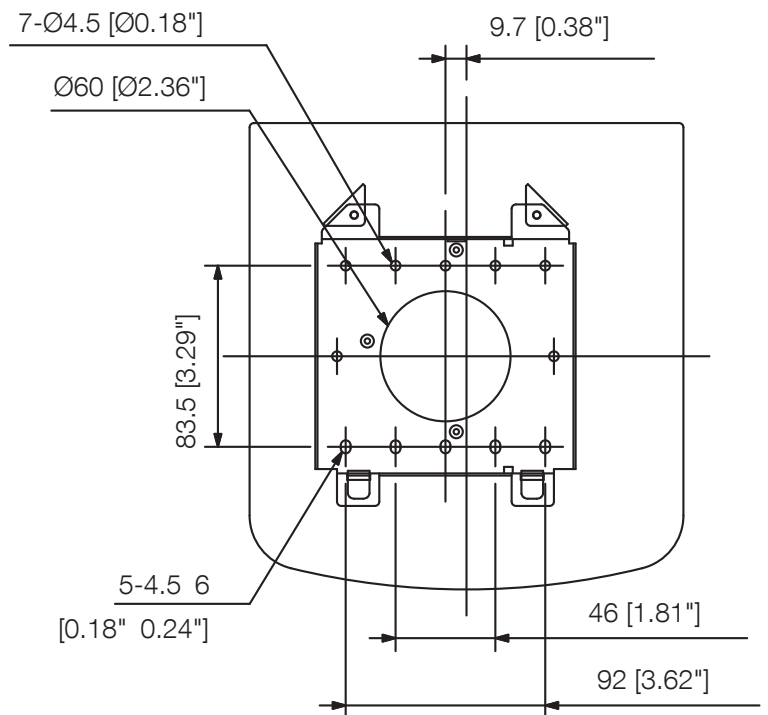
Side view with wall mounting bracket unit



Rear View



Bottom View with wall mounting bracket unit



Wall mounting bracket unit (accessory)

UNIT:mm

SCALE:1/4

## A&E specifications

Fire station with easy-to-use hand-held microphone with talk button, 3 programmable programmable buttons and a button with folding safety cover with emergency functions, expandable to Max 55 keys. Very easy to use with preprogrammed features, including:- Entering emergency mode, with or without a pre-programmed emergency sequence with stored messages through the covered alarm key- Manual announcements are made into selectable areas, call- Select background music- Activation of preprogrammed transfers of any sources in any areas- Display specific error messages- Alarm acknowledge and reset- Start, pause, skip and stop alarm sequences in specific sections of the fire- Lamp testReady light, General failure indicator and VU-meter. Built-in speaker to listen with the possibly programmed fast forward or post gongs. Adjustable microphone and speaker levels. Monitoring of control and audio paths, as well as the preamplifier according to EN 60849, EN54-16 and ISO 7240-16. In the hand-held microphone of built-in beeper to monitor the MIC capsule including the acoustic-electric conversion. As an additional safety feature can the CPU at failure of the intercom is switched off and announcements in all areas be discontinued.