

- Status indication for each speaker line
- Fault acknowledge and lamp test button
- Input DSP: flexible filtertypes and compressor
- Output DSP: flexible filtertypes, compressor and delay up to 2.7 sec.

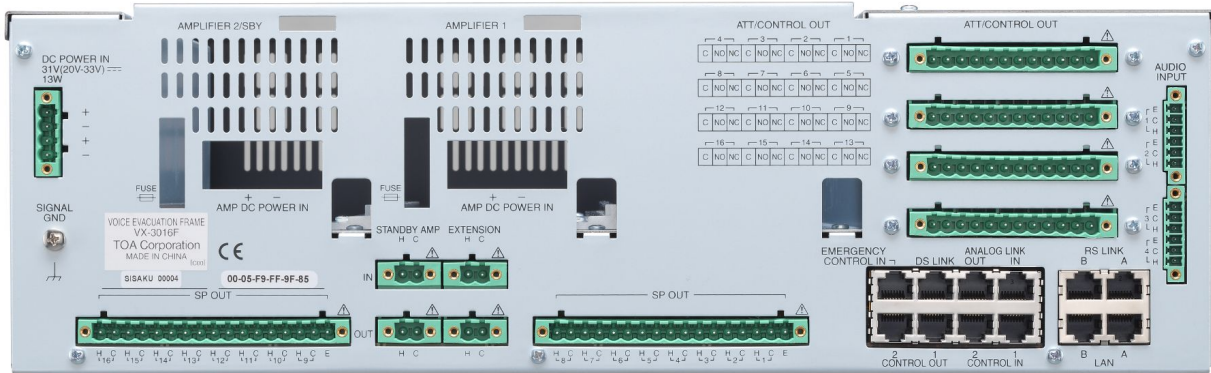
Specifications

Power Source	20 – 33 V DC, removable terminal block (4 pins)
Power Consumption	24 W (frame only) at 33 V DC input, 90 W (RS LINK: 2 A output) at 33 V DC input
ATT/Control Output	16 outputs, no-voltage make contact, relay contact (NC, NO, C), control current: 2 mA to 5 A, withstand voltage: 125 V AC, 40 V DC Connector: Removable terminal block (12 pins) ... 4
Analog Link	Number of Connectors: 1 input, 1 output Connection Device: VX-3004F, VX-3008F, VX-3016F Connector: RJ45 connector Connection Cable: Shielded Category 5 twisted pair cable (CAT5-STP) or greater Maximum Cable Distance: 800 m (2624.67 ft)
Audio Input 1, 2, 3, 4	4 inputs Sensitivity: LINE: –20 dB*2, MIC: –60 dB*2 LINE/MIC/ANC Sensor (changeable with setting software) Gain Control: Volume adjustable with volume control (internal front panel) –∞ to 0 dB Input Impedance: 47 kΩ, electronically-balanced Frequency Response: 40 Hz to 20 kHz ±1 dB (at DA CONTROL LINK, 0 dB output) Distortion: 1% or less (at DA CONTROL LINK, 0 dB output, 1 kHz) Signal to Noise Ratio: 60 dB or more (at DA CONTROL LINK, A-weighted) Phantom Power Supply: 24 V DC, can be set with setting software Connector: Removable terminal block (6 pins) ... 2
Control Input 1, 2	16 inputs, no-voltage make contact input, open voltage: 24 V DC, short-circuit current: 2 mA, Fault Detection System: Short circuit, Open circuit, Method: Voltage detect, Connector: RJ45 connector, Connection Cable: Shielded Category 5 twisted pair cable (CAT5-STP) or greater,
Control Output 1, 2	General outputs : 8 with CONTROL OUTPUT 1 Exclusive outputs : 3 with CONTROL OUTPUT 2 GENERAL FAULT, CPU FAULT, CPU OFF No-voltage make contact, electrical contact output, control current: 10 mA, withstand voltage: 28 V DC Connector: RJ45 connector Connection Cable: Shielded Category 5 twisted pair cable (CAT5-STP) or greater
DS Link	Connection Device: DS LINK of Power supply units Connector: RJ45 connector Connection Cable: Shielded Category 5 twisted pair cable (CAT5-STP) or greater Maximum Cable Distance: 5 m (16.4 ft)
Digital Signal Processing	
ANC (Ambient Noise Control)	Amplifier output level control, Automatic sensor input reference level measuring, Sensor input reference level fine adjustment, Maximum output signal level control: –15 to 0 dB, Minimum output signal level control: –18 to –3 dB, Sample time setting: 10 s, 20 s, 30 s, 1 min, 5 min, Gain ratio setting: (Ambient noise: Output signal level), 6:3, 5:3, 4:3, 3:3, 3:4, 3:5, 3:6, Ambient noise measuring frequency setting: 20 Hz – 20 kHz, 3 points,
Compressor	Threshold: –20 to 0 dB (1 dB steps) Ratio: 1:1, 1.1:1, 1.2:1, 1.3:1, 1.5:1, 1.7:1, 2:1, 2.3:1, 2.6:1, 3:1, 4:1, 5:1, 7:1, 8:1, 10:1, 12:1, 20:1, ∞:1 Attack time: 0.2 ms – 5 s Release time: 10 ms – 5 s Gain: –∞ to +10 dB Knee type: hard knee, middle knee, soft knee
Delay	For each amplifier output, 0 – 2730 ms (0.021 ms steps)

Equalizer/Filter	<p>3 bands for each audio input and RS LINK (A/B), 6 bands for each amplifier output</p> <p>Parametric equalizer: 20 Hz – 20 kHz, ± 15 dB, Q: 0.267 – 69.249</p> <p>Filtering: High-pass filter 20 Hz – 20 kHz, 6 dB/oct, 12 dB/oct</p> <p>Low-pass filter 20 Hz – 20 kHz, 6 dB/oct, 12 dB/oct</p> <p>High shelving filter 6 – 20 kHz, ± 15 dB</p> <p>Low shelving filter 20 – 500 Hz, ± 15 dB</p> <p>Notch filter (amplifier output only) 20 Hz – 20 kHz, Q: 8.651 – 69.249</p> <p>All-pass filter (amplifier output only) 20 Hz – 20 kHz, Q: 0.267 – 69.249</p> <p>Horn equalizer (amplifier output only) 20 kHz, 0 to +18 dB (0.5 dB steps)</p>
Feedback Suppression Function (FBS)	<p>7 filters (auto),</p> <p>Settable for each audio input and RS LINK (A/B)</p>
Emergency Control IN	<p>Input 2: Isolated voltage input, –24 to +24 V</p> <p>Connector: RJ45 connector</p> <p>Connection Cable: Category 5 twisted pair cable (CAT5) or greater</p>
Indicators	<p>POWER (green) ... 1, RUN (green) ... 1, EMERGENCY (red) ... 1, CPU OFF (red) ... 1,</p> <p>LAN A (green) ... 1, LAN B (green) ... 1, RS LINK A (green) ... 1, RS LINK B (green) ... 1</p> <p>FAULT STATUS (yellow):GENERAL ... 1, UNIT ... 1, NETWORK ... 1, EMG MIC ... 1, FUSE ... 1,</p> <p>POWER ... 1, CPU ... 1, ZONE ... 16</p> <p>AMPLIFIER:PEAK (red) ... 2, SIGNAL (green) ... 2, OPERATE (green) ... 2, POWER (green) ... 2</p>
LAN	<p>Number of Connectors: 2 (LAN A, LAN B)</p> <p>Network I/F: 100BASE-TX</p> <p>Network Protocol: TCP, UDP, ARP, ICMP, RTP, IGMP, FTP, HTTP, NTP</p> <p>Spanning tree Protocol: RSTP</p> <p>Audio Transmission System: TOA Packet Audio*1</p> <p>Audio Encoding Method: PCM</p> <p>Audio Sampling Frequency: 48 kHz</p> <p>Audio Quantifying Bit Number: 16 bits</p> <p>Connection Device: VX-3004F, VX-3008F, VX-3016F, NX-300, VX-3000PM, VX-3000CT, Switching HUB</p> <p>Connector: RJ45 connector</p> <p>Connection Cable: Category 5 twisted pair cable (CAT5) or greater</p> <p>Number of Stages of Cascade connection:Up to 7 Maximum Cable Distance: 100 m (328.08 ft)</p>
Operating Temperature	–5 to +45 C° (23 to 113 °F)
Module Slot	<p>Number of modules: 2</p> <p>DA CONTROL LINK ... 2,</p> <p>DA OUTPUT LINK .. 2 (Used only when a power amplifier module is installed)</p>
Operating Humidity	90% RH or less (no condensation)
Finish	Panel: Surface-treated steel plate, black, 30% glossy, paint
Dimensions	483 (w) x 132.6 (h) x 345 (d) mm (19.02" x 5.22" x 13.58")
Weight	8.1 kg (17.86 lb)
Operation	<p>Fault Control Switch ...2 (ACK/RESET)</p> <p>Test Switch ...1 (LAMP TEST)</p> <p>Setting Switch: ID NUMBER, RESET, IMPEDANCE, Setting (internal front panel)</p>
Program Timer	<p>Weekly program method</p> <p>Daily program: 50 events, 10 types</p> <p>Holiday program: 50 types</p>
Speaker Line	<p>16 channels, 2 Earth terminals</p> <p>Maximum Voltage/Current: 100 Vrms, 5 Arms</p> <p>Connector: Removable terminal block (17 pins) ... 2</p> <p>Fault Detection System: Short circuit, Open circuit, Ground fault,</p> <p>Method: Impedance or End of line</p>
Standby Amplifier Input/Output	<p>Input: 1, Output: 1</p> <p>Maximum Voltage/Current: 100 Vrms, 5 Arms</p> <p>Connector: Removable terminal block (2 pins) ... 2</p>

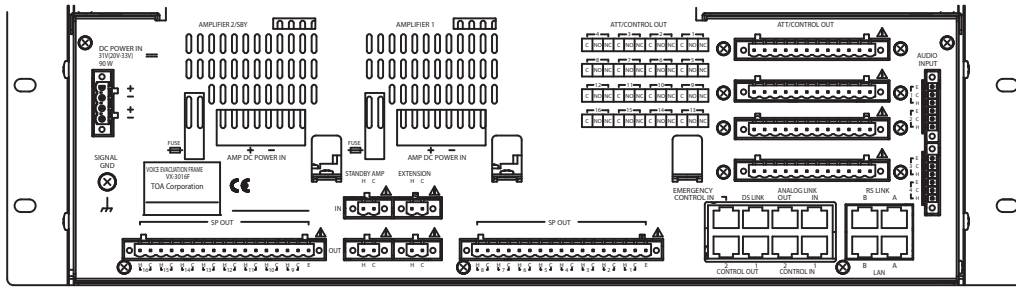
Time Adjustment	Control input, NTP
VOX Function	Threshold: -60 to 0 dB (1 dB steps) Hysteresis: 0 to +10 dB Hold time: 10 ms – 10 s Settable for each audio input

Product rear image

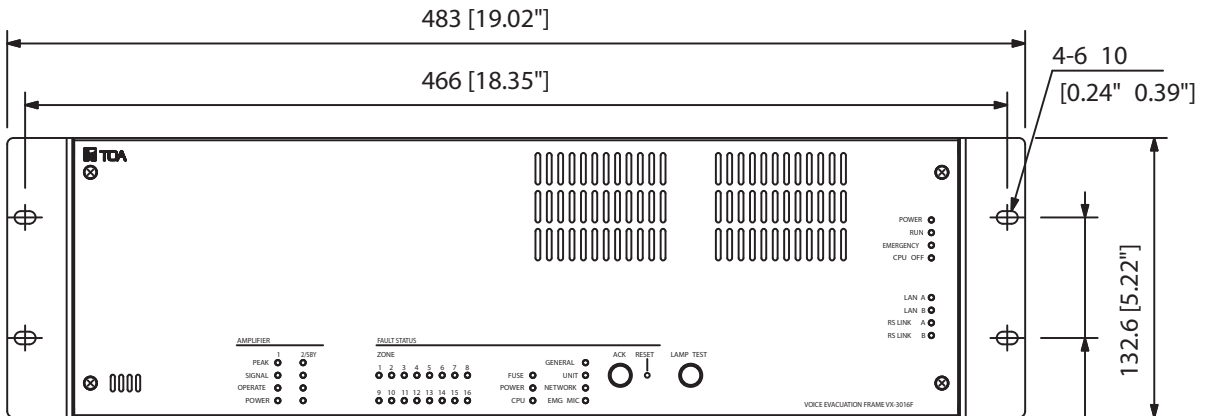


Dimensions

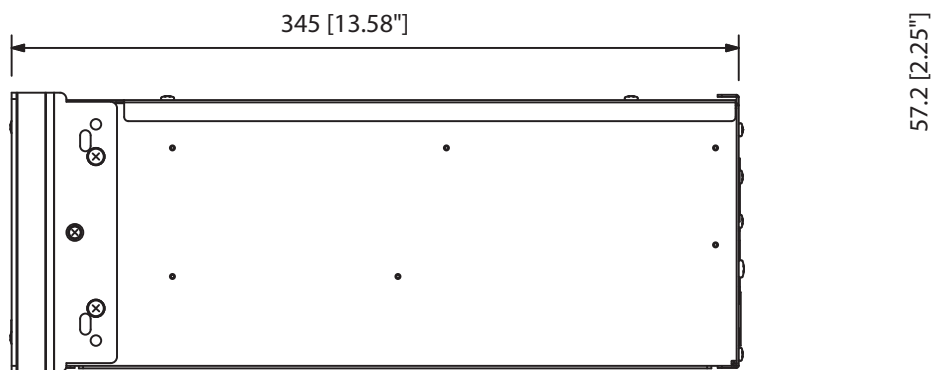
Rear View



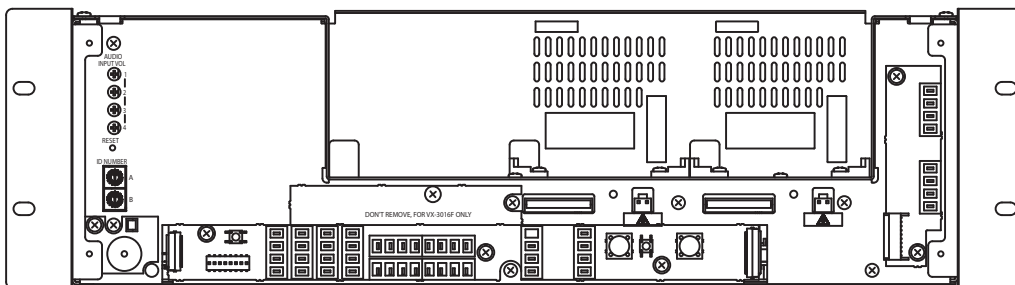
Front View



Side View



Front view without front panel



UNIT:mm

SCALE:1/4

A&E specifications

Base frame for 2 amplifier modules with 16 monitored speaker outputs.

The base frame can be configured that one amplifier module operates all 16 speaker outputs or two amplifier modules operate 8 speaker outputs each.

The second amplifier module can alternatively be used as a standby amplifier.

Up to 4 base frames of this type can be cascaded to increase the number of assignable speaker outputs.

Monitoring is possible by impedance surveillance or by using an end-of-line module.

Settings for impedance deviation to indicate an open or shorted line can be individually set for every output.

4 general balanced audio inputs (microphone/line level) and 2 inputs for up to 8 remote microphones including up to two emergency microphones.

The signals at the general audio inputs can be mixed.

All mandatory indications and controls regarding EN54-16 can be found on the front panel.

Fault indication for every speaker output line.

Redundant network connection (Ethernet) of the base frame with RSTP via two RJ45 ports.